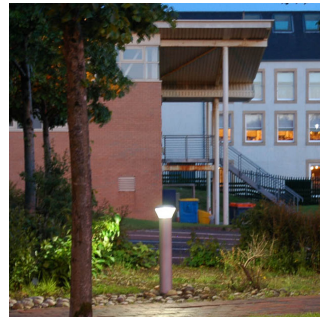




LED Bollard Series

Photo above shows 15w LED version, 1m high.

LED Bollard offered in 2 sizes, various heights, with internal motion sensor options. Suitable for paths, gardens or plaza areas.



Construction: Cast Aluminium head, IP65. Extruded Aluminium Shaft. 1m high as standard (700mm on Mini version). Other heights or Rooted Base on request.

Lens: Polycarbonate Lens.

Installation: Flanged as standard.

Finish: Grey RAL 9006 as standard. Other colours on request

Wattages: 15w (12 LED) Symmetric as standard. 30w version also available. 8w (6 LED) on Mini-Version. Wattage is total circuit watts. Other Wattages or Asymmetric on request.

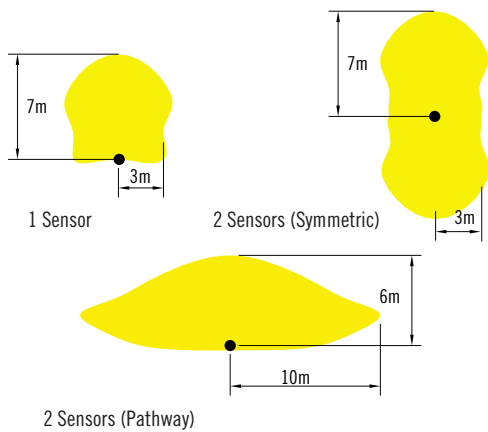
LED: 6 - 12 Cree XP LEDs. 8w-15w versions run at 350mA, 30w version at 700mA. Neutral white (approx 4200K) as standard. Rated lifetime of 60,000 hours and can be switched on/off repeatedly without reduction in life.

Options: Internal Sensor Control, Emergency, dimmable (1-10V), Dali, Rooted/Flanged, Symmetric/Asymmetric, Different Heights.

Sensor: Single or twin motion sensor (microwave), On/Off or Hi/Low versions. Sensor Delay of 5 mins (or less if specified). Wireless system on request. Photocell option available with on/off version only.



SENSOR COVERAGE PATTERN - PLAN VIEW

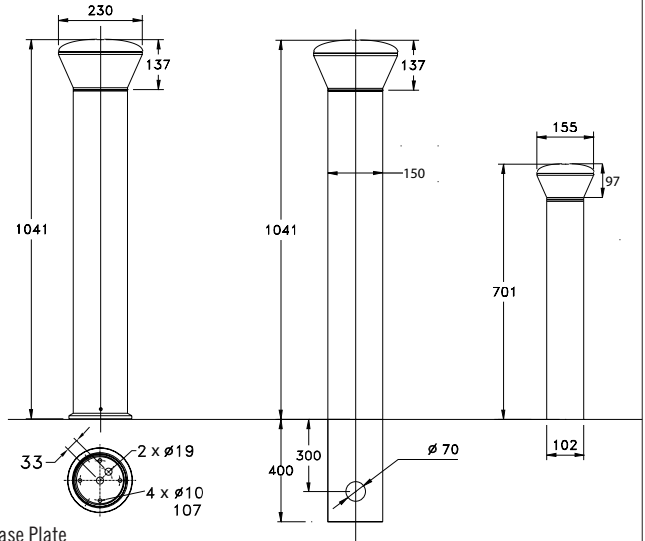


Above Based on Standard Bollard.

Vertical Coverage:
+/- 45° from horizontal

DIMENSIONS

Flanged mounted (Standard) Rooted Version Mini



Base Plate

All dimensions are in mm.

* On request up to 2m.

ORDERING CODE

Wattage*	Lamp	Symmetric	Asymmetric*	Details
Standard Bollard				
15w	LED	5BLE00010	5BLE00020	No Sensor
15w	LED	5BLE00011	5BLE00021	1 Sensor (on/off)
15w	LED	5BLE00012	5BLE00022	2 Sensors (on/off)
15w	LED	5BLE00015	5BLE00025	Dimmable (1-10V Signal req.) ⁺
15w	LED	5BLE00016	5BLE00026	Dimmable 1 Sensor (Hi/Low)
15w	LED	5BLE00017	5BLE00027	Dimmable 2 Sensors (Hi/Low)
Note: 15w can be converted to 30w by Changing Driver.				
Mini Version				
8w	LED	5BLE00710	5BLE00720	No Sensor
8w	LED	5BLE00711	5BLE00721	1 Sensor (on/off)
8w	LED	5BLE00715	5BLE00725	Dimmable (1-10V Signal req.) ⁺
8w	LED	5BLE00716	5BLE00726	Dimmable 1 Sensor (Hi/Low)

*Note: Asymmetric Version reduces wattages to 60%.

*Note: No Sensor.

OPTIONS

RAL: Pls specify
HGT: Pls specify
RTD: Rooted Version
PC: Photocell (with on/off Sensor only)
WR: Wireless
DALI:Dali
EM: Emergency
30w: 30w Output (Standard Bollard)

APPLICATION GUIDE

- LED Bollard
- 15w 12 LED Symmetric
- Standard Height 1m
- Contours in Lux
- M. Factor = 0.90

