



S Bollard Series

Photo above shows 16w LED, 840mm High, Stainless Steel rooted.

Robust Stainless Steel or Aluminium Slotted Bollards, rooted or flanged. Suitable for paths, gardens or plaza areas.



Construction: High grade stainless steel (316 grade) with illuminated slots. IP54. Walls are 3.1mm thick. Shape can be made to order including height, shape of slots and finish.

Lens: Acrylic lens as standard.

Installation: Rooted as standard. Removable base available. Flange mounted on request.

Finish: Blasted finish with polished cap (shown). Other patterns on request.

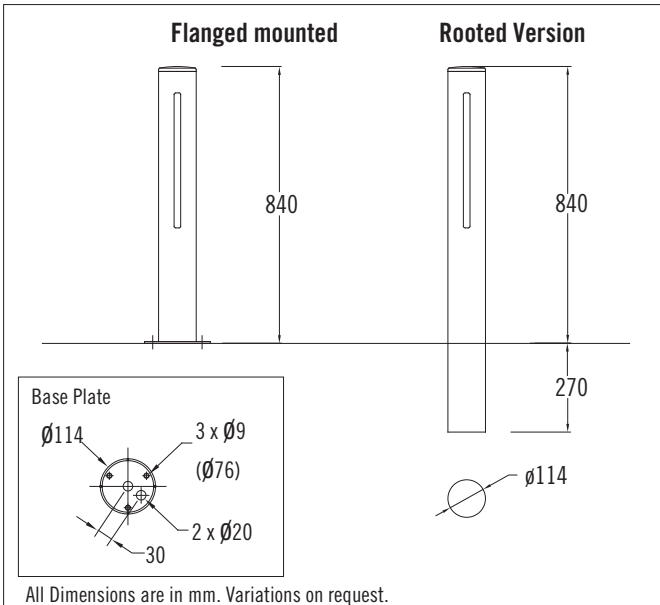
Lamps: 1x18w -24w CFL, 16w LED. Other sources on request.

Options: Dimmable gear, removable base, variable height, slots cut to order, flanged version, emergency. An occupancy sensor can be fitted internally to switch on/off automatically.

Aluminium version on request with RAL of choice.



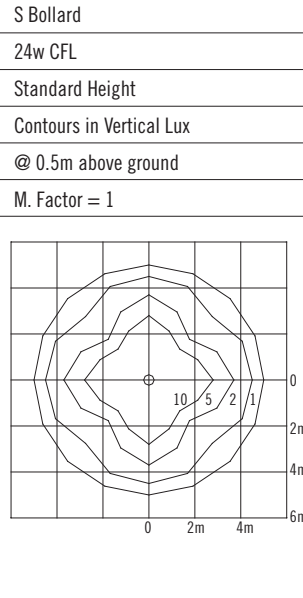
DIMENSIONS



ORDERING CODE

Code Flanged	Code Rooted	Type	Description
5SSB61CBA	5SSB61CBC	18-24w TC-L	Blasted Stainless Steel, 2G11
5SSB61CPA	5SSB61CPC	18-24w TC-L	Polished Stainless Steel, 2G11
5SSB61CAA	5SSB61CAC	18-24w TC-L	Aluminium Version, 2G11
5SSB16LBA	5SSB16LBC	16w LED	Blasted Stainless Steel, 2G11
5SSB16LPA	5SSB16LPC	16w LED	Polished Stainless Steel, 2G11
5SSB16LAA	5SSB16LAC	16w LED	Aluminium Version, 2G11

APPLICATION GUIDE



OPTIONS

RAL: Pls specify (ALU version only)
EM: Emergency Version
HGT: Specify Height

